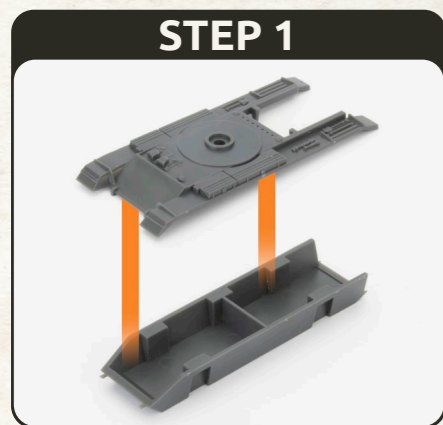
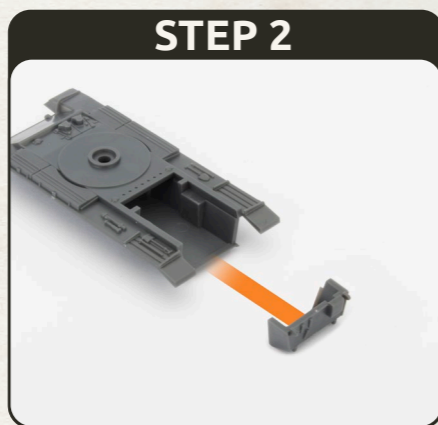


SHO'T (BLAZER) CENTURION

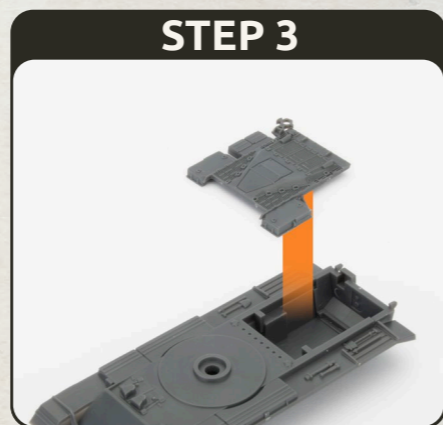
ISRAELI SHO'T (BLAZER) CENTURION ASSEMBLY



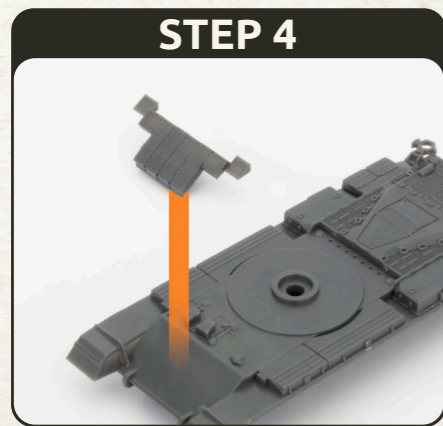
STEP 1
Begin assembling the Sho't Blazer by attaching the upper hull to the lower hull.



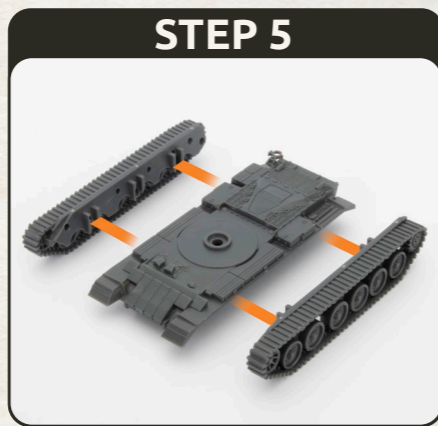
STEP 2
Attach the rear plate to the rear of the hull.



STEP 3
Attach the engine deck to the top of the hull.



STEP 4
Add the ERA panels to the front glaciais plate.



STEP 5
Attach the tracks. These are keyed to help with the orientation.



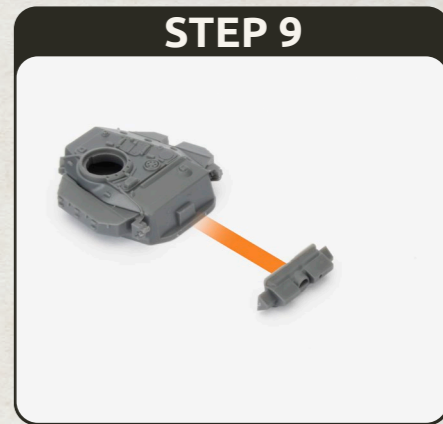
STEP 6
The Completed Hull.



STEP 7
Begin by attaching the top of the turret to the base.



STEP 8
Attach the left and right turret bustles to the side of the turret. Smoke dischargers face the front.



STEP 9
Attach the mantlet to the front of the turret.



STEP 10
Attach the turret roof ERA panels to the turret.



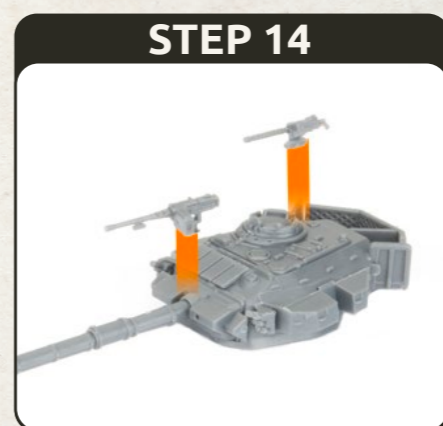
STEP 11
Attach the rear basket to the rear of the turret.



STEP 12
Attach your choice of commander's hatch to the cupola.



STEP 13
Attach the 105mm L7 gun to the gun mantlet. It is keyed for orientation.



STEP 14
Attach the 7.62mm AA MG to the cupola and the .50 cal MG to the top of the mantlet.



STEP 15
Attach the turret to the hull.